



SECTIONAL / ENDLESS / ADD-ON TABLE ASSEMBLY INSTRUCTIONS FOR TABLES UP TO 78" WIDE

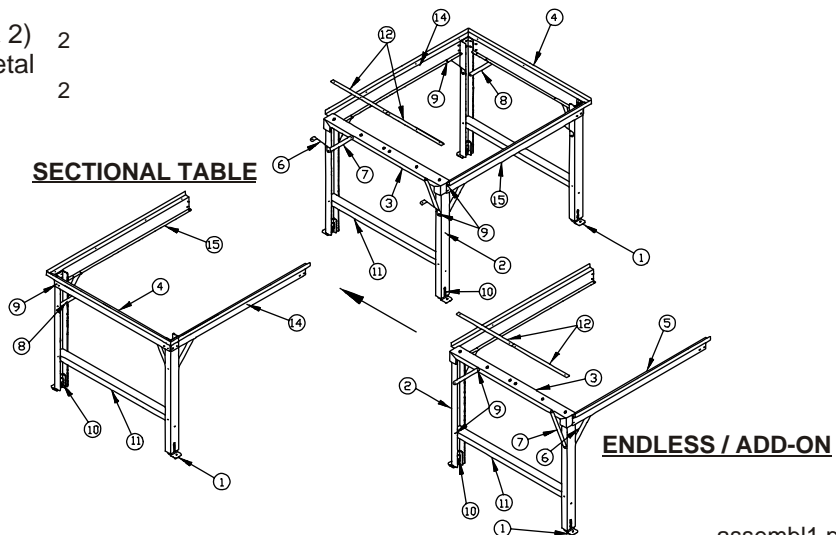
1. Connect adjustable leg extension (#1) to post (#2) using 1/2 x 7/8" hex head bolt, washer, square nut and nut retainer.
2. Attach leg assembly to bottom brace (#11) using 5/16" x 3/4" hex head bolts, nut, and lock washers.
3. Assemble top brace (#3) and apron rail (#5) to leg assembly using 5/16" x 3/4" hex head bolt, nuts, and lockwashers.
4. Add diagonal (#6) and straight corner brace (#7) per drawing using 5/16" x 3/4" hex bolts, nuts, and lock washers.
5. Repeat above steps on all center sections of framework. End sections of framework are in large cartons marked sectional framework which finish off the two ends of table.
6. Place table tops with spline on sections of steel starting in center. Work left and right from center.
7. Attach spline to top brace using 5/16" x 3/4" hex head bolt. Leave bolts loose until all tops are in place and properly aligned.
8. Install #12 x 3/4" screws in tops around the perimeter through holes provided in aprons.
9. Adjust table to proper height. Make sure table is straight and then tighten all hardware.

SECTIONAL TABLE PARTS

Part #	Description	Qty.
1	Adjustable leg extensions	6
2	Post	6
3	Top brace	1
4	End cap (table width) mitered	2
5	both ends	
6	Not Applicable	8
7	Diagonal corner brace	4
8	Straight brace	4
9	Corner brace 2-left, 2-right	70
10	5/16 x 3/4 hex head bolt, nut, lockwasher	6
11	1/2 x 7/8 hexhead bolt, nut, ret., Washer	3
12	Bottom brace	24
13	Steel spline (see note 1 & 2)	2
14	#12 x 2/3 type A sheet metal screw	2

ENDLESS / ADD-ON TABLE PARTS

Part #	Description	Qty.
1	Adjustable leg extensions	2
2	Post	2
3	Top brace	1
4	Not applicable	2
5	Apron rail = table length	4
6	Diagonal corner brace	4
7	Straight corner brace	4
8	Not applicable	4
9	5/16 x 3/4 hex head bolt, nut, lockwasher	30
10	1/2 x 7/8 hex head bolt, nut, ret., washer	2
11		1
12		12



Notes:

One spline req. for 24" to 48" width
Two splines req. for 54" to 78" width

Disregard these instructions for X-Pand-X tables 84" & wider.

assembl1.pdf